

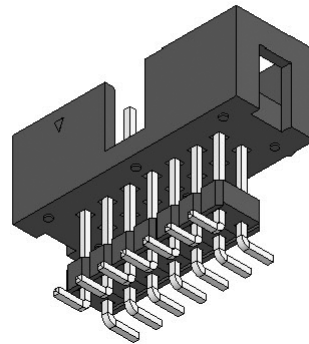
Box Header 2.54 mm

180° & SMT Series

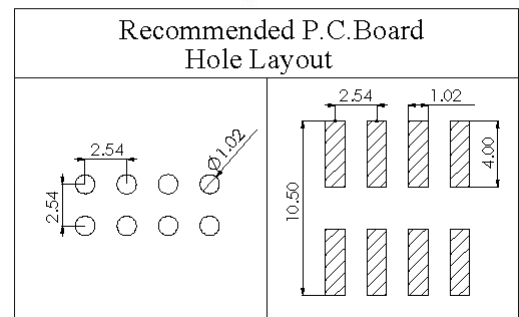
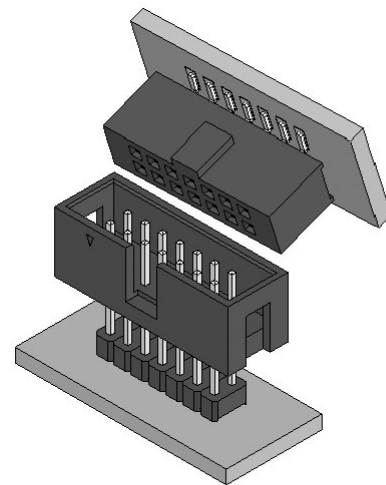
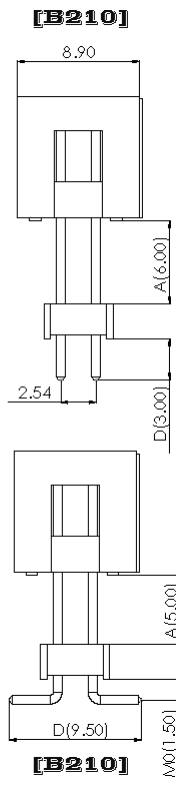
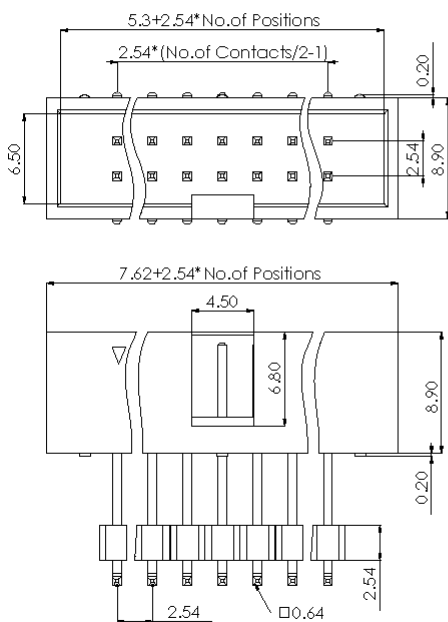
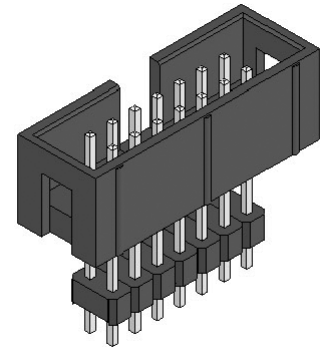
SPECIFICATIONS

Current Rating: 3 A
 Insulator Resistance: 5000 MOhm min.
 Dielectric Withstanding: AC 1000 V
 Operating Temperature: -40°C ~ +105°C
 Soldering Temperature: 260°C for 3~5sec. max
 Contact Material: Copper Alloy
 Insulator Material: Polyester, UL 94V-0
 Standard: P.B.T.
 Finish: Tin, Gold or Duplex Plated
 Standard: Gold Flash all over
 Note: Duplex Plating: Gold Plated on contact area, Tin on solder area

B210-M0GN-D095/050-XX



B210-SGP-D030/060-XX



How to order

Unit: mm

Series	Connector Type	Contact Plating	Material	Pin Length mm	Number of Contacts
BXXX	- X	X	X	- DXXX/XA	- XX
B210:B/H 2.54 H:9.10 Dual Row	S: Straight Type M: SMT Type M8: 1.00 M9: 1.20 M0: 1.50 ...	G: Gold Flash T: Tin Plated A: 10U"Gold B: 15U"Gold C: 20U"Gold ⊙ Duplex Plating D: Gold Flash/Tin (Standard: G)	P: PBT N: Nylon-6T	S-D D030 (060) M-D D095 (050)	(06 TO 64 Contacts)